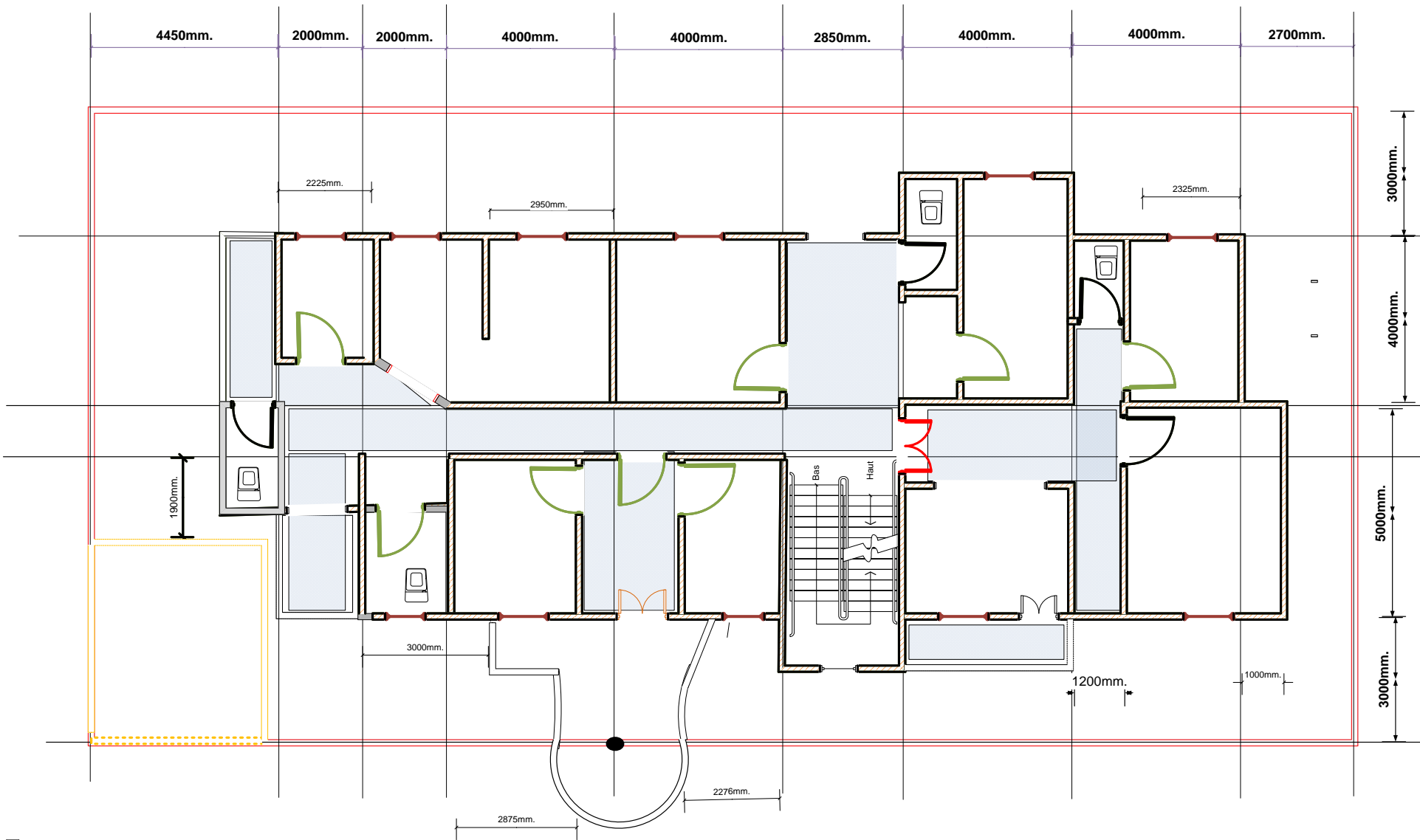


GROUND FLOOR PLAN - SITE 30BY 15M



FIRST FLOOR PLAN



1-All dimension in mm details

Grass- **Type 3**

Privation History			
ReviD	ChiD	Change Name	Date

Company Title :



UNHCR DARFUR OPERATION
Shelter project
-El-Genina-New office

Drawing Name:
Second floor plan

Drawing status:
Design

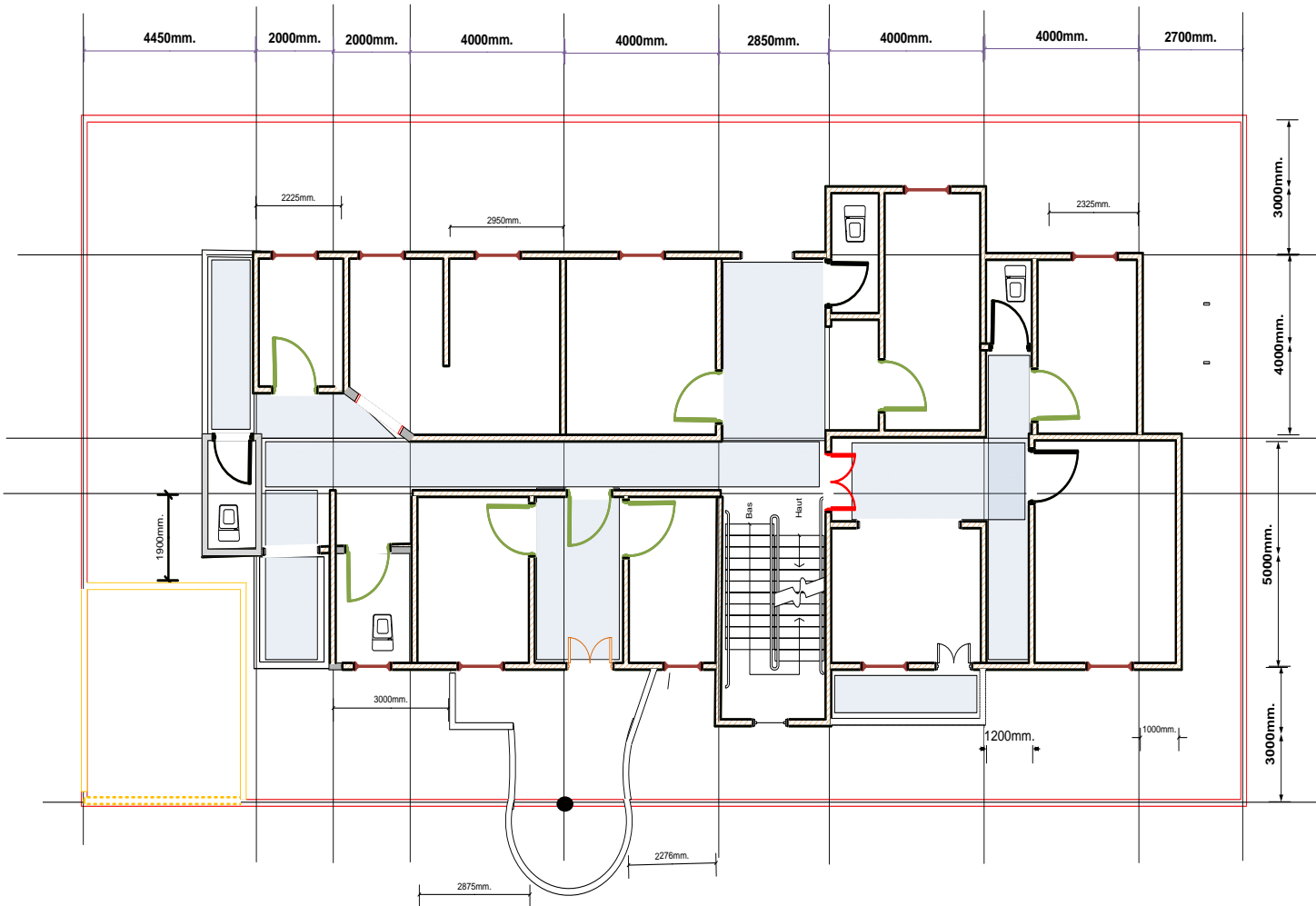
Designed by : Nasr.Sharf

Date : December 2021

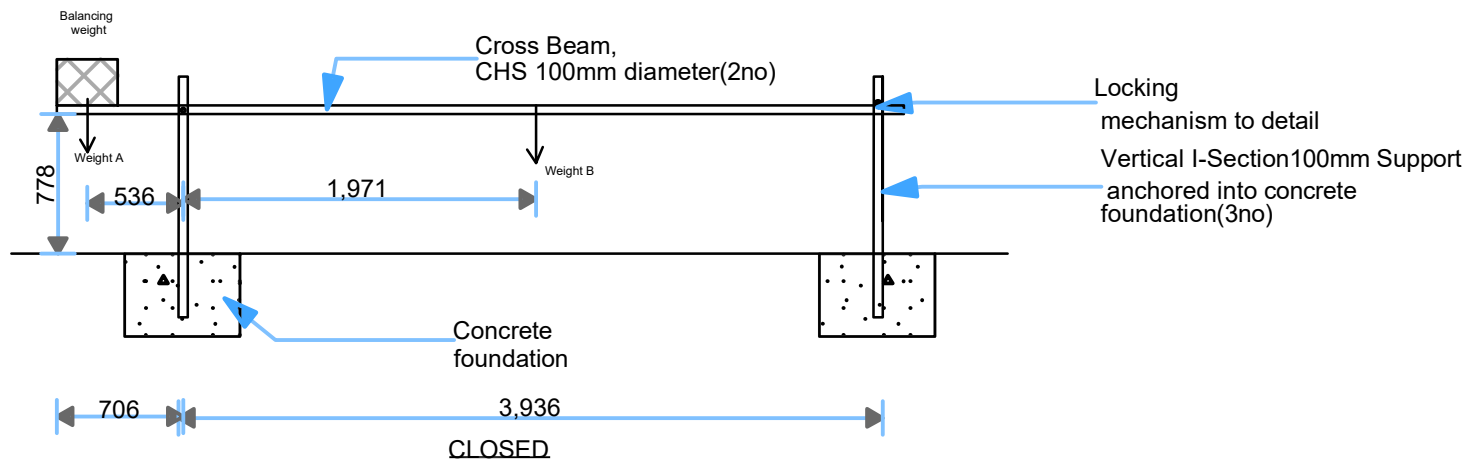
Checked by :
Ahmed Nour

Drawing scale
AS INDICATED

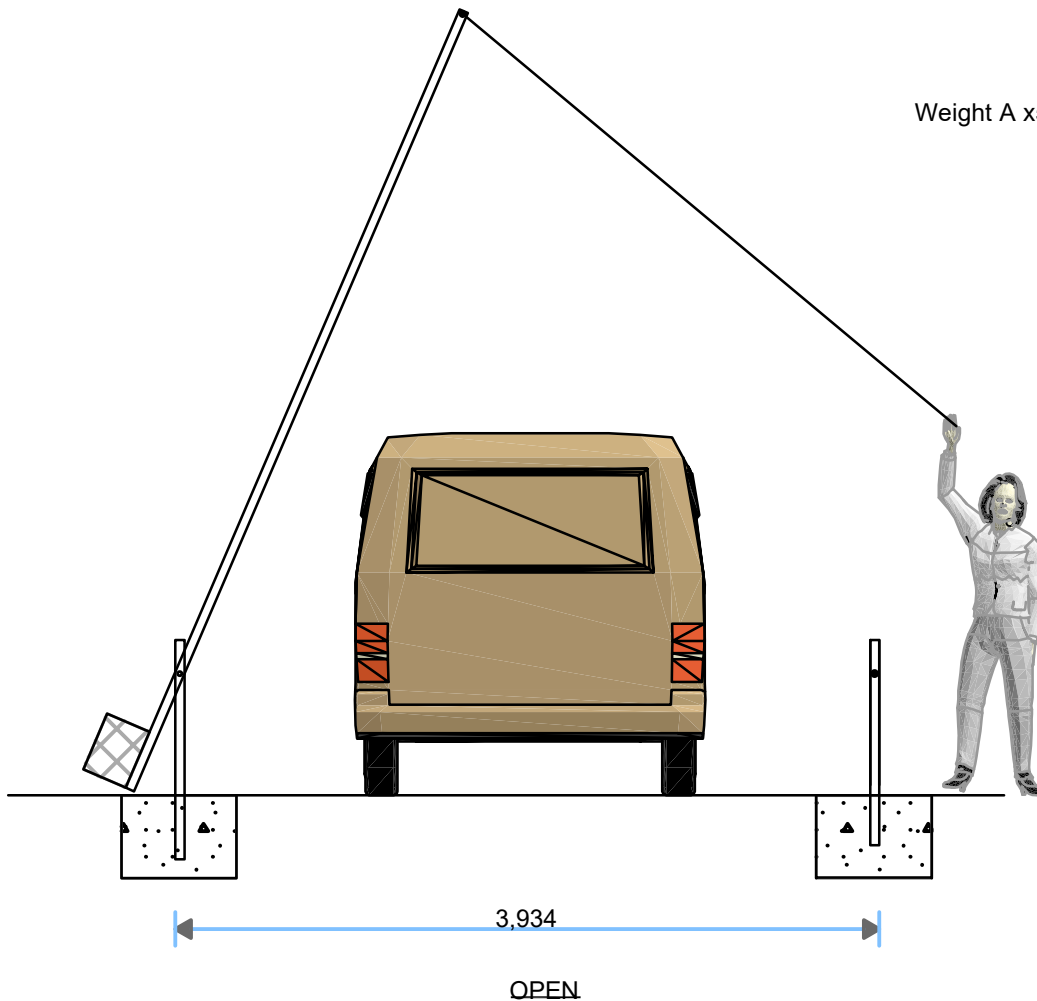
Project NO: 2021/3



SECOND FLOOR PLAN



Rationale:
 $\text{Weight A} \times 536 \gg \text{Weight B} \times 1971$



NOTES

1. All dimeniosn in mm unless specified otherwise
2. Concrete must be of minimum class 25, well cured and approved during casting by the Engineer
3. All steel mild steel structures must be painted with a antirust prime coat before installation
4. Appropriate welding thickness to be adopted for all fabrications to the Engineers approval

PROJECT

BOOM BARRIER

LOCATION

UNHCR EL-GENINA
 NEW OFFICE

DRAWING

Plan and detailed views.

DRAWN BY:

Gabriel Masika

MODIFIED BY:

M. Esam

DATE:

24. 02. 2022

DRAWING NUMBER:

GEN-2022-001









